

Full System Integration

Cockpit Upgrades, Satcom, ADS-B Out, Mission Systems

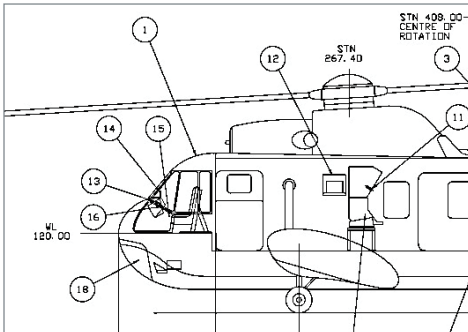


**Modifications • Installation Kits
Equipment • Installation**



Full System Integration

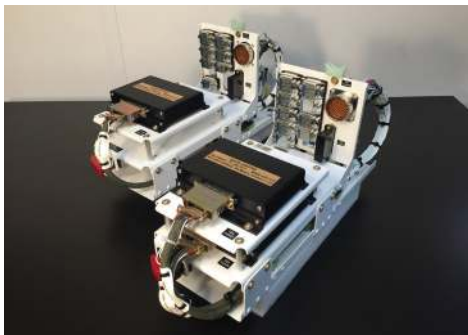
Cockpit Upgrades, Satcom, ADS-B Out, Mission Systems



MODIFICATIONS

We have designed more than 800 modifications, consisting of minor changes and supplemental type certificates, on a wide variety of aircraft types.

*Approval: EASA Part 21 Subpart J Design Organisation Approval (DOA)



INSTALLATION KITS

We complement our design packages with the parts and assemblies production. Our installation kits are built in-house, ensuring a high-quality product, to promote efficient installations.

*Approval: EASA Part 21 Subpart G Production Organisation Approval (POA)

*Accreditation: AS 9100



EQUIPMENT

We hold distributor agreements with several equipment OEMs, which means our customers benefit from the pricing we can provide for avionics equipment.

OEMs include Universal Avionics and Collins Aerospace.



INSTALLATION

Time and resource efficiency is always our priority, so our team of experienced engineers and installation experts are available to modify your existing system or install a new system at your designated maintenance facility.

CONTACT US

Dakota House
Coventry Airport
Coventry, CV8 3AZ
United Kingdom

Phone: **+44 (0) 2476 882695**

Email: **info@tenencia.co.uk**

Tenencia Aerospace Design is now part of
Carlisle Interconnect Technologies

CARLISLE
INTERCONNECT TECHNOLOGIES